

3-968297-2 ✓ ACTIVE

AMP | Timer Connector System

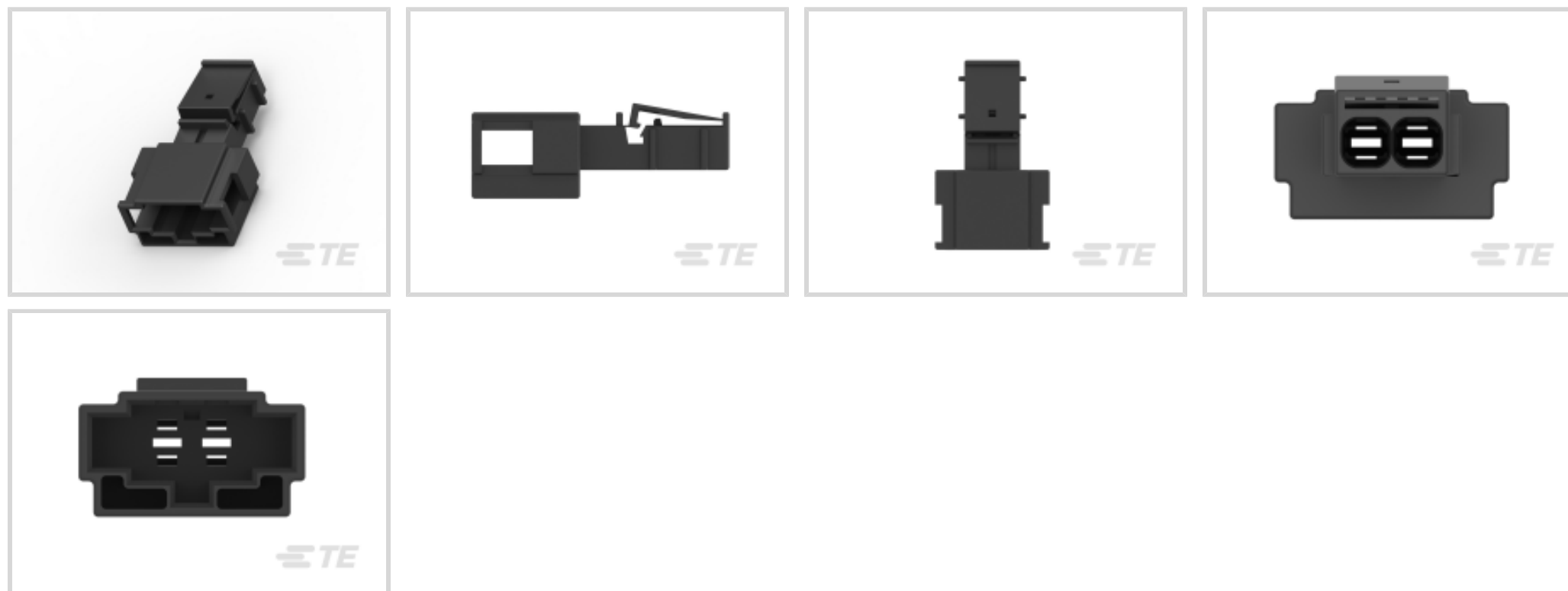
TE Internal #: 3-968297-2

Timer Connector System, Housing for Male Terminals, Wire-to-Wire, 2 Position, 5mm [.197in] Centerline, Black, Signal, Code C

[View on TE.com >](#)



Connectors > Automotive, Truck, Bus, & Off-Road Connectors > Connector Housings > TIMER, CONNECTOR HOUSING



Connector Style: **Housing for Male Terminals**

Mating Tab Width: **2.8 mm [.11 in ]**

Connector System: **Wire-to-Wire**

Number of Positions: **2**

Centerline (Pitch): **5 mm [.197 in ]**

[All TIMER, CONNECTOR HOUSING \(547\)](#)

### Features

#### Product Type Features

Connector Style	Housing for Male Terminals
Connector System	Wire-to-Wire
Sealable	No
Hybrid Connector	No
Primary Locking Feature	On the Terminal
Strain Relief	No

#### Configuration Features

Number of Positions	2
Number of Rows	1

#### Body Features

Cable Exit Angle	180°
Body Material	PBT GF
Color	Black



Connector Code	C
----------------	---

### Contact Features

Mating Tab Width	2.8 mm[.11 in]
------------------	----------------

### Mechanical Attachment

Terminal Position Assurance	Yes
-----------------------------	-----

Mounting Feature	Without
------------------	---------

Polarized	No
-----------	----

### Housing Features

Centerline (Pitch)	5 mm[.197 in]
--------------------	---------------

### Dimensions

Height	38 mm[1.496 in]
--------	-----------------

Length	23 mm[.906 in]
--------	----------------

Width	23 mm[.906 in]
-------	----------------

### Operation/Application

Circuit Application	Signal
---------------------	--------

### Packaging Features

Packaging Method	Box
------------------	-----

### Other

Serviceable	No
-------------	----

Connector Position Assurance Capable	No
--------------------------------------	----

### Product Compliance

[For compliance documentation, visit the product page on TE.com>](#)

EU RoHS Directive 2011/65/EU	Compliant
------------------------------	-----------

EU ELV Directive 2000/53/EC	Compliant
-----------------------------	-----------

China RoHS 2 Directive MIIT Order No 32, 2016	No Restricted Materials Above Threshold
---	---

EU REACH Regulation (EC) No. 1907/2006	Current ECHA Candidate List: JAN 2020 (205) Candidate List Declared Against: JUL 2019 (201) Does not contain REACH SVHC
--	---

Halogen Content	Low Halogen - Br, Cl, F, I < 900 ppm per homogenous material. Also BFR/CFR/PVC Free
-----------------	---



Solder Process Capability

Not applicable for solder process capability

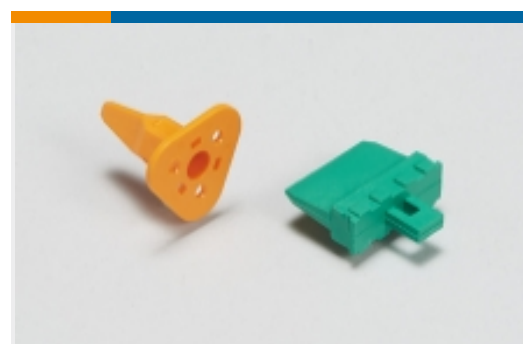
Product Compliance Disclaimer

This information is provided based on reasonable inquiry of our suppliers and represents our current actual knowledge based on the information they provided. This information is subject to change. The part numbers that TE has identified as EU RoHS compliant have a maximum concentration of 0.1% by weight in homogenous materials for lead, hexavalent chromium, mercury, PBB, PBDE, DBP, BBP, DEHP, DIBP, and 0.01% for cadmium, or qualify for an exemption to these limits as defined in the Annexes of Directive 2011/65/EU (RoHS2). Finished electrical and electronic equipment products will be CE marked as required by Directive 2011/65/EU. Components may not be CE marked. Additionally, the part numbers that TE has identified as EU ELV compliant have a maximum concentration of 0.1% by weight in homogenous materials for lead, hexavalent chromium, and mercury, and 0.01% for cadmium, or qualify for an exemption to these limits as defined in the Annexes of Directive 2000/53/EC (ELV). Regarding the REACH Regulation, the information TE provides on SVHC in articles for this part number is based on the latest European Chemicals Agency (ECHA) 'Guidance on requirements for substances in articles' posted at this URL: <https://echa.europa.eu/guidance-documents/guidance-on-reach>

Also in the Series | **Timer Connector System**



Automotive Connector Caps & Covers (11)



Automotive Connector Locks & Position Assurance(16)



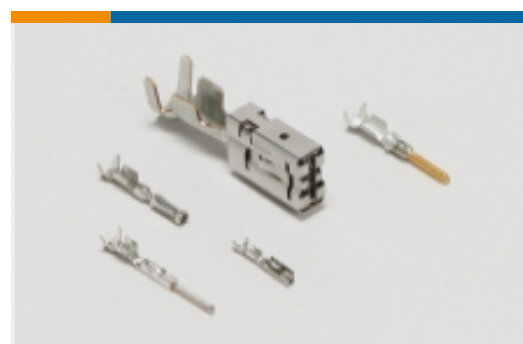
Automotive Seals & Cavity Plugs(32)



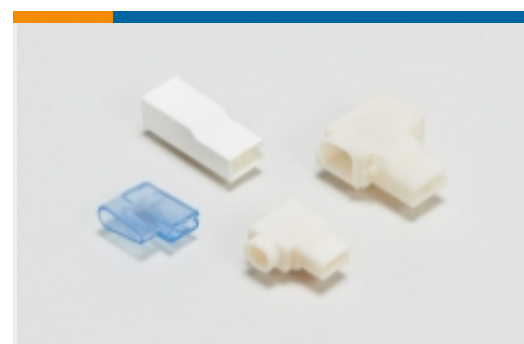
Automotive, Truck, Bus, & Off-Road Headers(86)



Automotive, Truck, Bus, & Off-Road Housings(216)



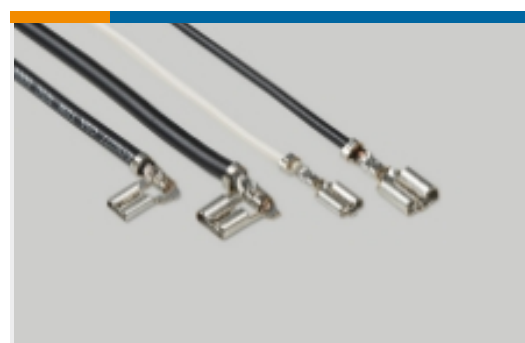
Automotive, Truck, Bus, & Off-Road Terminals(152)



Crimp Terminal Housings(13)

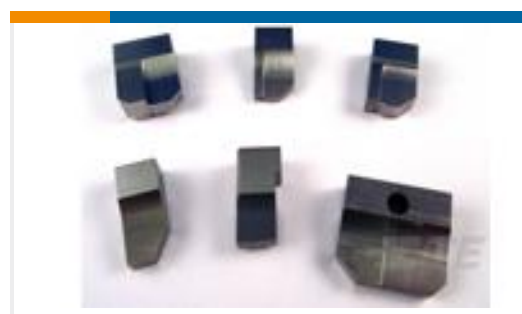


Other Automotive Connector Accessories(2)



Quick Disconnects(4)

Customers Also Bought



TE Model / Part #1-1333215-0  
ANVIL EF .070



TE Model / Part #2151044-1  
OCEAN\_2.0\_APPLICATOR-S-  
055F072O



TE Model / Part #2151301-2  
OCEAN-2.0-APPLICATOR-S-070F090F



TE Model / Part #662631-1  
FLOATING SHEAR



TE Model / Part #928782-2  
SOLDER CONTACT 17-13 0.6MM  
TPBR



TE Model / Part #2150938-2  
OCEAN\_2.0\_Applicator-E-110F160FA



TE Model / Part #7-2151210-7  
OCEAN\_2.0\_SPARE\_PART\_KIT-  
090F130F



TE Model / Part #926298-5  
UN-MNL STECK-GEH 4P

## Documents

### Product Drawings

#### FLACHSTE-GEH2,8 2P

English

### CAD Files

#### 3D PDF

3D

#### Customer View Model

[ENG\\_CVM\\_CVM\\_3-968297-2\\_E.2d\\_dxf.zip](#)

English

#### Customer View Model

[ENG\\_CVM\\_CVM\\_3-968297-2\\_E.3d\\_igs.zip](#)

English

#### Customer View Model

[ENG\\_CVM\\_CVM\\_3-968297-2\\_E.3d\\_stp.zip](#)

English

By downloading the CAD file I accept and agree to the [Terms and Conditions](#) of use.

### Datasheets & Catalog Pages

#### Timer Interconnection System

English

### Product Specifications

#### Product Specification

German